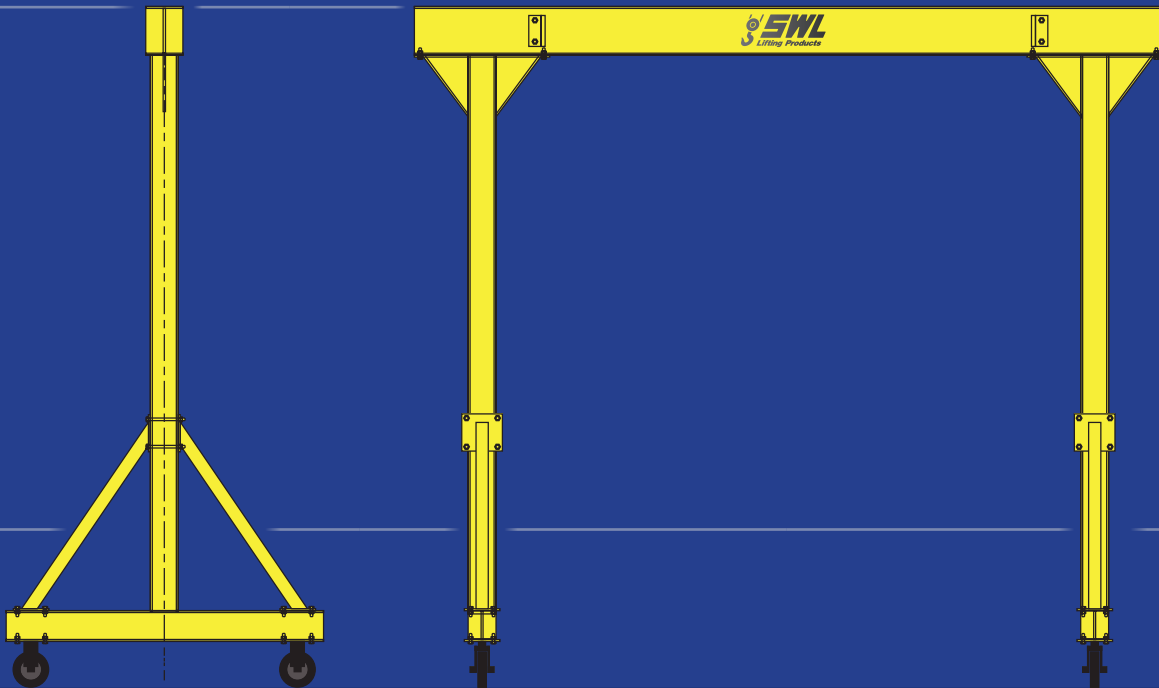


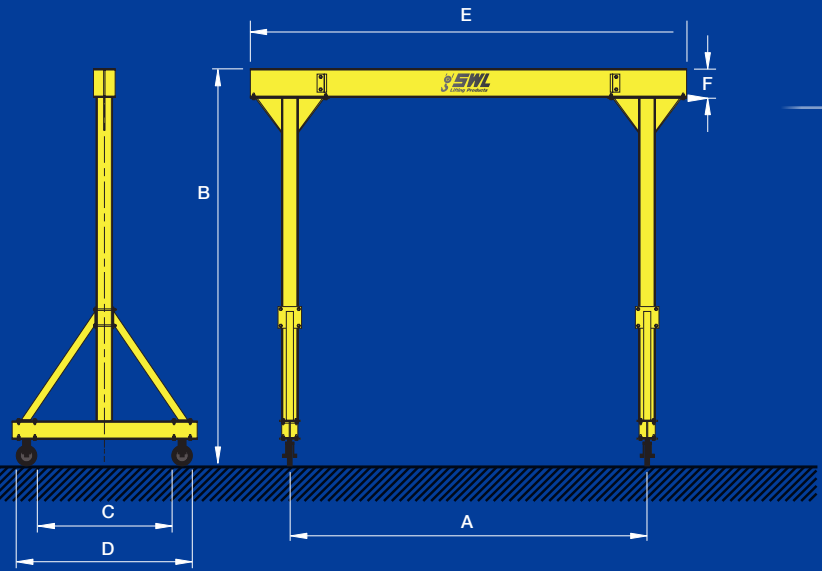


# Gantry Crane

## Adjustable Height



# Specifications



Model	Span A	Under B	SWL	C	D	E	F	G	H	J	Shipping Weight [Approx. lbs.]	
1TAHG-10-10	10'	10-13'	1 Ton	36"	41"	11' 3"	8"	20"	8"	8"	700	
1TAHG-10-12		12-15'		42"	47"	11' 3"	8"	24"	8"	10"	750	
1TAHG-10-15		15-18'		48"	53"	11' 3"	8"	28"	8"	12"	810	
1TAHG-12-10	12'	10-13'		36"	41"	13' 3"	8"	20"	8"	8"	740	
1TAHG-12-12		12-15'		42"	47"	13' 3"	8"	24"	8"	10"	790	
1TAHG-12-15		15-18'		48"	53"	13' 3"	8"	28"	8"	12"	850	
1TAHG-15-10	15'	10-13'		36"	41"	16' 3"	10"	20"	10"	8"	900	
1TAHG-15-12		12-15'		42"	47"	16' 3"	10"	24"	10"	10"	940	
1TAHG-15-15		15-18'		48"	53"	16' 3"	10"	28"	10"	12"	1000	
1TAHG-20-10	20'	10-13'		36"	41"	21' 3"	10"	20"	10"	8"	1025	
1TAHG-20-12		12-15'		42"	47"	21' 3"	10"	24"	10"	10"	1070	
1TAHG-20-15		15-18'		48"	53"	21' 3"	10"	28"	10"	12"	1130	
2TAHG-10-10	10'	10-13'		2 Ton	36"	43"	11' 3"	8"	20"	8"	8"	800
2TAHG-10-12		12-15'			42"	49"	11' 3"	8"	24"	8"	10"	870
2TAHG-10-15		15-18'			48"	55"	11' 3"	8"	28"	8"	12"	970
2TAHG-12-10	12'	10-13'	36"		41"	13' 3"	8"	20"	8"	8"	840	
2TAHG-12-12		12-15'	42"		49"	13' 3"	8"	24"	8"	10"	910	
2TAHG-12-15		15-18'	48"		53"	13' 3"	8"	28"	8"	12"	1000	
2TAHG-15-10	15'	10-13'	36"		43"	16' 3"	10"	20"	10"	8"	1020	
2TAHG-15-12		12-15'	42"		49"	16' 3"	10"	24"	10"	10"	1060	
2TAHG-15-15		15-18'	48"		55"	16' 3"	10"	28"	10"	12"	1150	
2TAHG-20-10	20'	10-13'	36"		43"	21' 3"	10 1/2"	20"	10C	8"	1356	
2TAHG-20-12		12-15'	42"		49"	21' 3"	10 1/2"	24"	10C	10"	1430	
2TAHG-20-15		15-18'	48"		55"	21' 3"	10 1/2"	28"	10C	12"	1525	
3TAHG-10-10	10'	10-13'	3 Ton		36"	44"	11' 4"	10"	20"	10"	8"	890
3TAHG-10-12		12-15'			42"	50"	11' 4"	10"	24"	10"	10"	925
3TAHG-10-15		15-18'			48"	56"	11' 4"	10"	28"	10"	12"	980
3TAHG-12-10	12'	10-13'		36"	44"	13' 4"	10"	20"	10"	8"	945	
3TAHG-12-12		12-15'		42"	50"	13' 4"	10"	24"	10"	10"	980	
3TAHG-12-15		15-18'		48"	56"	13' 4"	10"	28"	10"	12"	1040	

Continued on next page →

# Gantry Crane Adjustable Height

## Specifications (cont.)

Model	Span A	Under B	SWL	C	D	E	F	G	H	J	Shipping Weight [Approx. lbs.]
3TAHG-15-10	15'	10-13'	3 Ton	36"	44"	16' 4"	12"	20"	12"	8"	1030
3TAHG-15-12		12-15'		42"	50"	16' 4"	12"	24"	12"	10"	1070
3TAHG-15-15		15-18'		48"	56"	16' 4"	12"	28"	12"	12"	1125
3TAHG-20-10	20'	10-13'		36"	44"	21' 4"	15"	20"	15"	9"	1525
3TAHG-20-12		12-15'		42"	50"	21' 4"	15"	24"	15"	10"	1575
3TAHG-20-15		15-18'		48"	56"	21' 4"	15"	28"	15"	12"	1645
5TAHG-10-10	10'	10-13'	5 Ton	36"	44"	11' 5"	12"	24"	12"	10"	1620
5TAHG-10-12		12-15'		42"	50"	11' 5"	12"	28"	12"	12"	1685
5TAHG-10-15		15-18'		48"	56"	11' 5"	12"	32"	12"	14"	1800
5TAHG-12-10	12'	10-13'		36"	44"	13' 5"	12"	24"	12"	10"	1725
5TAHG-12-12		12-15'		42"	50"	13' 5"	12"	28"	12"	12"	1800
5TAHG-12-15		15-18'		48"	56"	13' 5"	12"	32"	12"	14"	1915
5TAHG-15-10	15'	10-13'		36"	44"	16' 5"	15"	24"	15"	10"	1900
5TAHG-15-12		12-15'		42"	50"	16' 5"	15"	28"	15"	12"	1970
5TAHG-15-15		15-18'		48"	56"	16' 5"	15"	32"	15"	14"	2075
5TAHG-20-10	20'	10-13'		36"	44"	21' 5"	15 ½"	24"	15C	10"	2180
5TAHG-20-12		12-15'		42"	50"	21' 5"	15 ½"	28"	15C	12"	2255
5TAHG-20-15		15-18'		48"	56"	21' 5"	15 ½"	32"	15C	14"	2370
10TAHG-10-10	10'	10-13'	10 Ton	36"	45"	11' 5"	18"	24"	18"	12"	2290
10TAHG-10-12		12-15'		42"	51"	11' 5"	18"	28"	18"	13"	2440
10TAHG-10-15		15-18'		48"	57"	11' 5"	18"	32"	18"	14"	2660
10TAHG-12-10	12'	10-13'		36"	45"	13' 5"	18"	24"	18"	12"	2405
10TAHG-12-12		12-15'		42"	51"	13' 5"	18"	28"	18"	13"	2550
10TAHG-12-15		15-18'		48"	57"	13' 5"	18"	32"	18"	14"	2775
10TAHG-15-10	15'	10-13'		36"	45"	16' 5"	20"	24"	20"	12"	2575
10TAHG-15-12		12-15'		42"	51"	16' 5"	20"	28"	20"	13"	2725
10TAHG-15-15		15-18'		48"	57"	16' 5"	20"	32"	20"	14"	2945
10TAHG-20-10	20'	10-13'		36"	45"	21' 5"	20 ½"	24"	20C"	12"	2860
10TAHG-20-12		12-15'		42"	51"	21' 5"	20 ½"	28"	20C"	13"	3010
10TAHG-20-15		15-18'		48"	57"	21' 5"	20 ½"	32"	20C"	14"	3230

\*Dimensions may be subject to change at time of order based on material available.

All our gantry cranes have been manufactured by our parent company The Dressor Group Ltd. Dressor is a CWB certified welding company certified to CSA W 59 and all gantries are welded to CSA W47.1 and are pre-engineered to the highest possible standards including a 15% impact allowance for an electric hoist.

Unless otherwise specified, all gantry cranes come with four swivel castors, two of them with a locking brake.



Distributed by:

